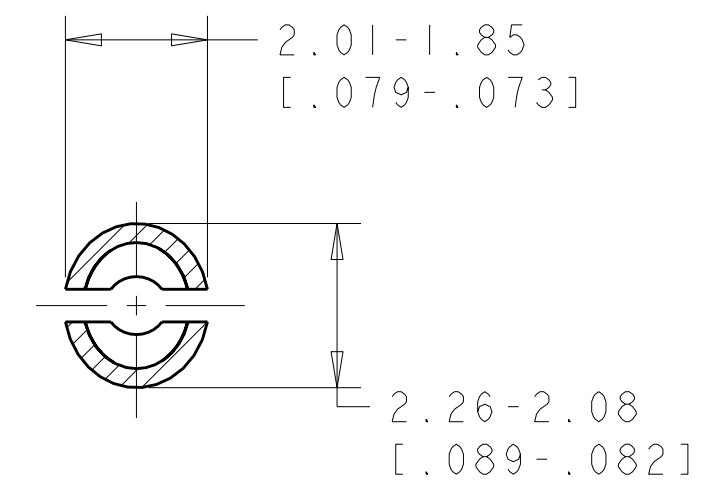
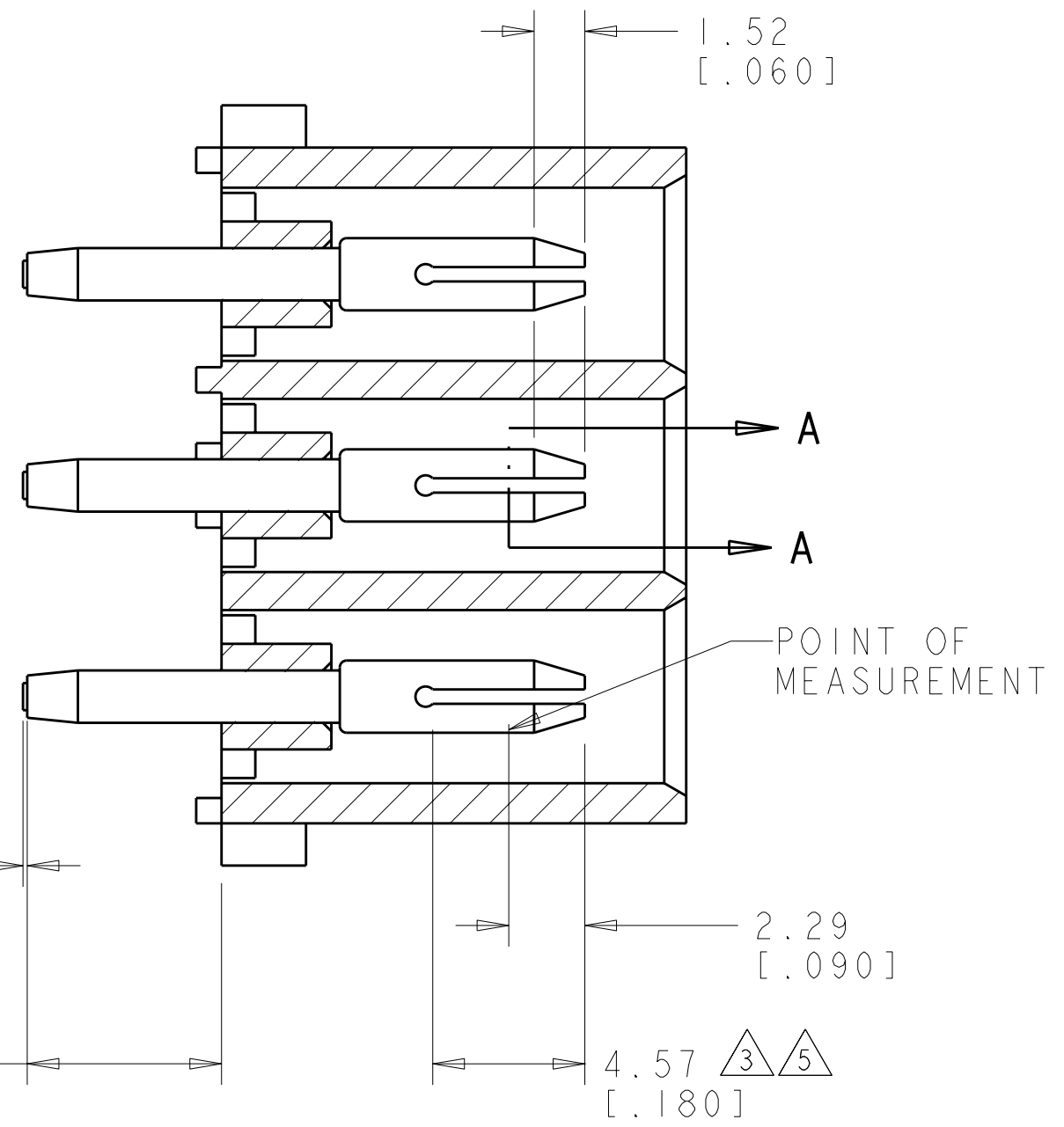
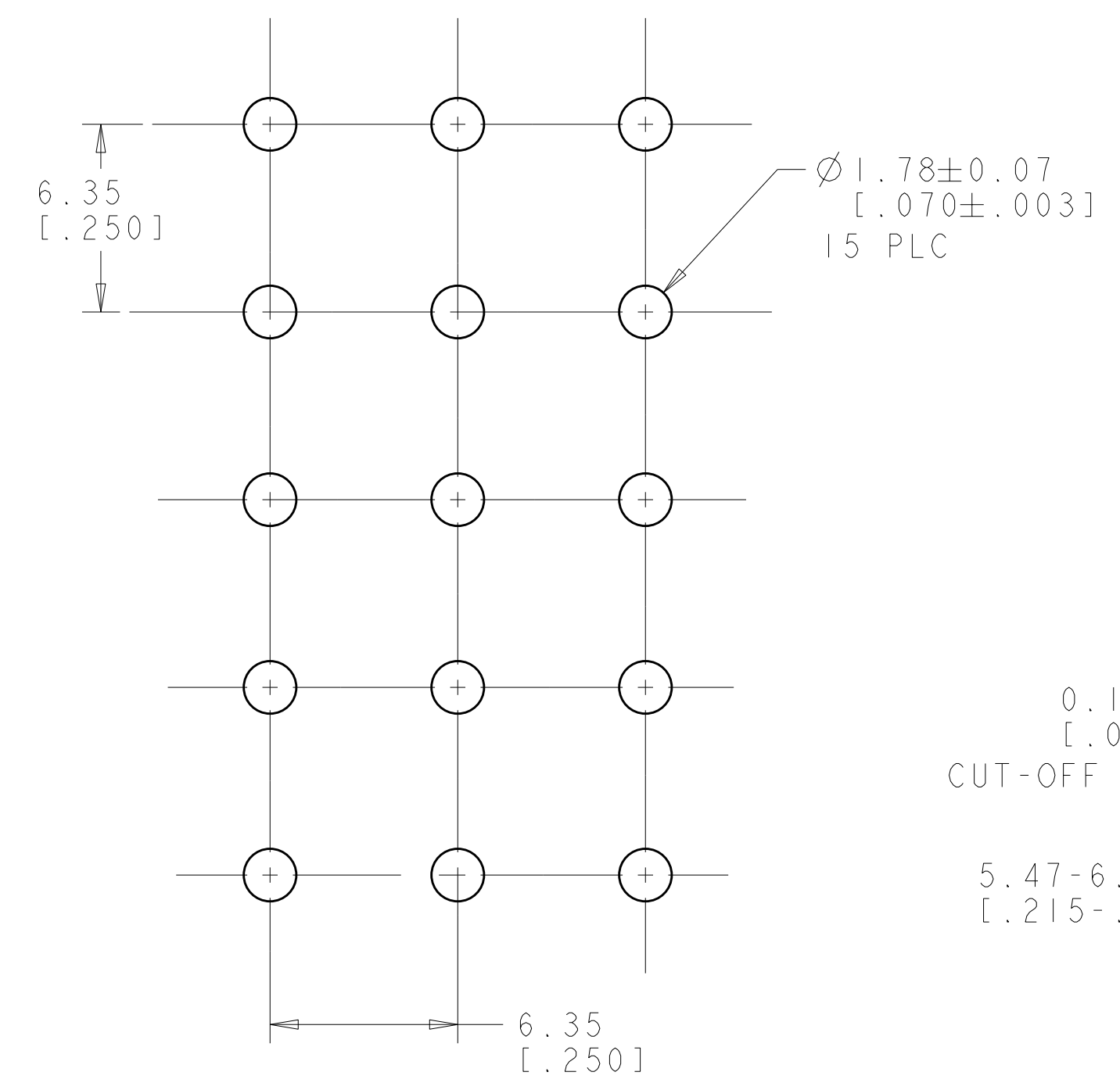
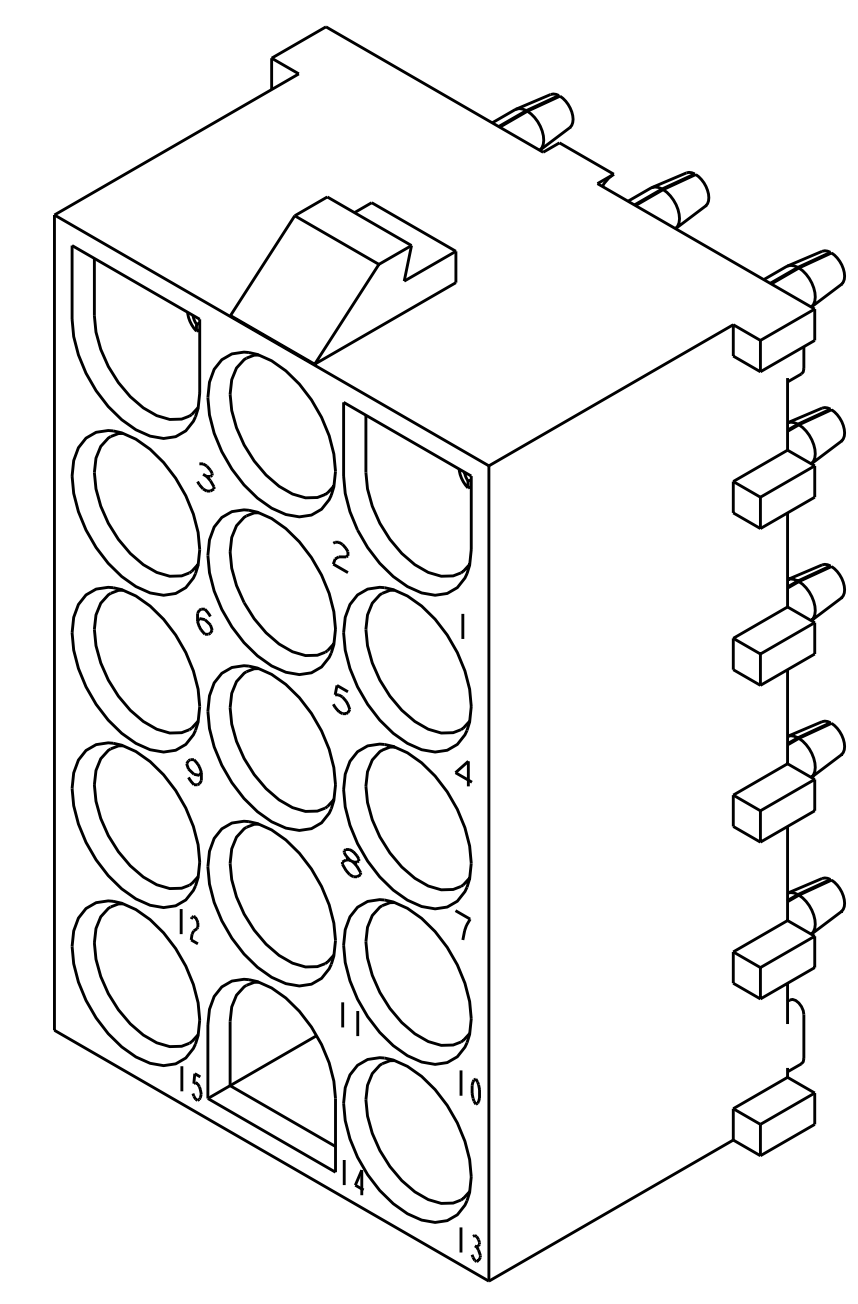
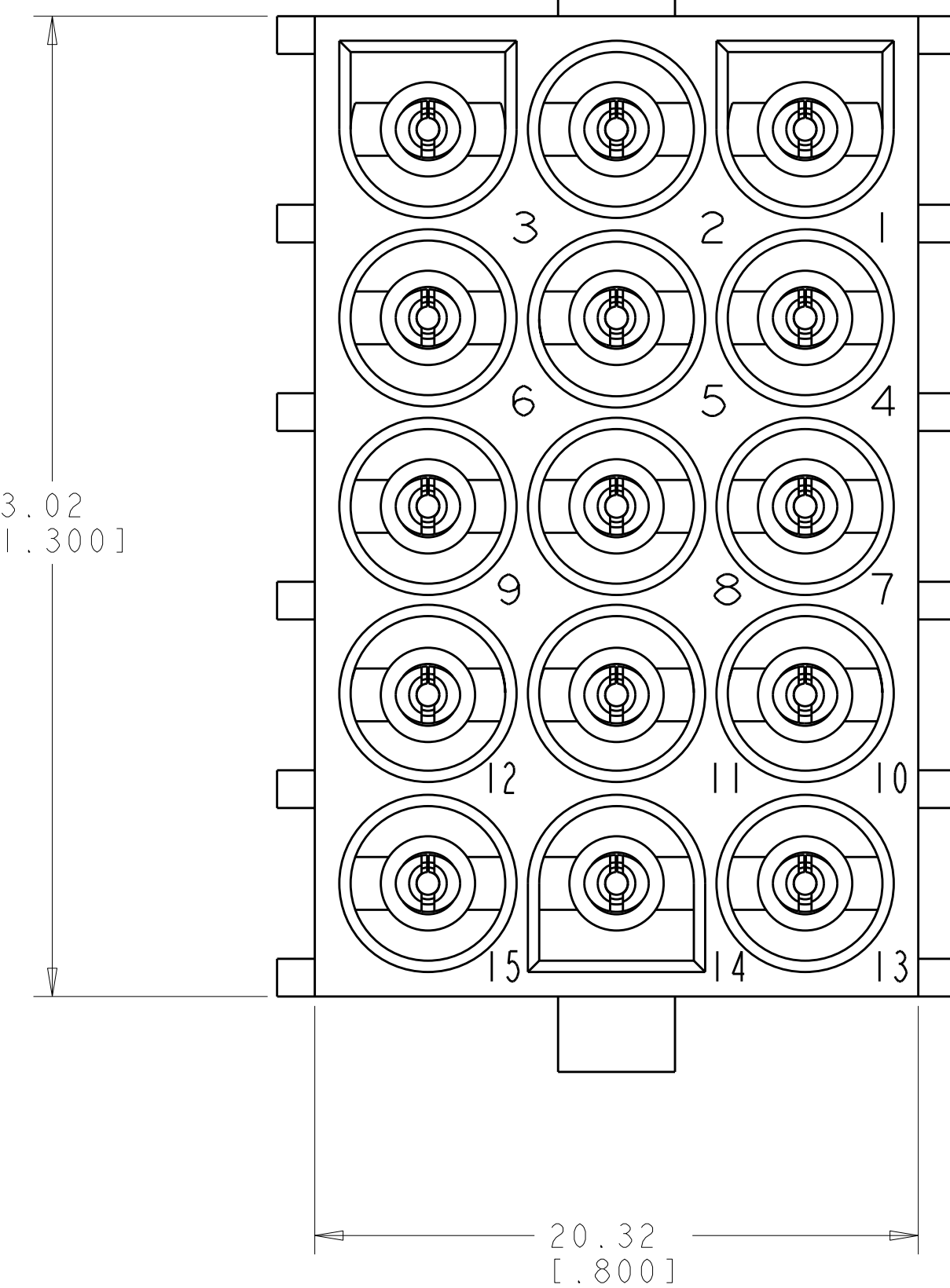
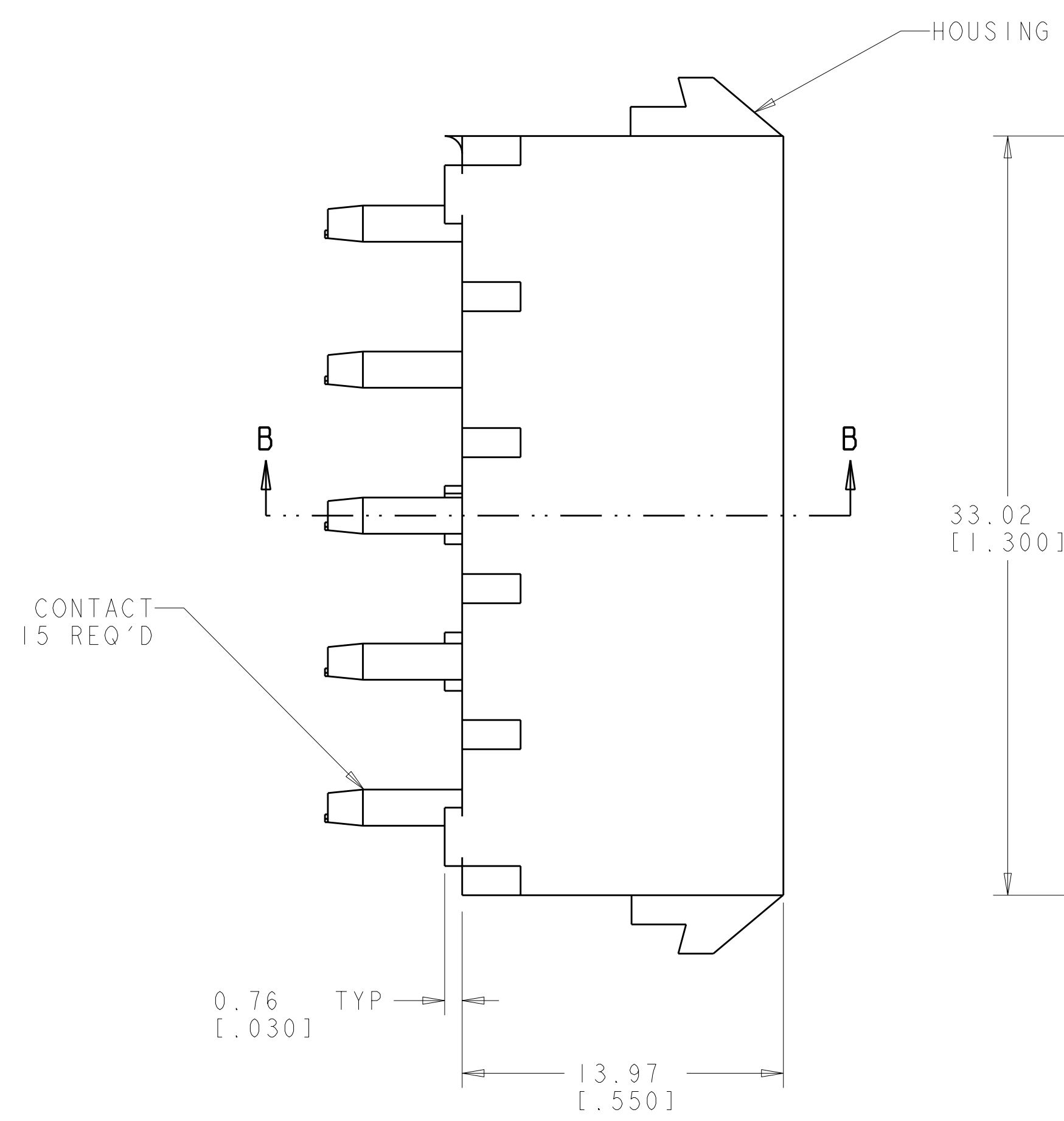
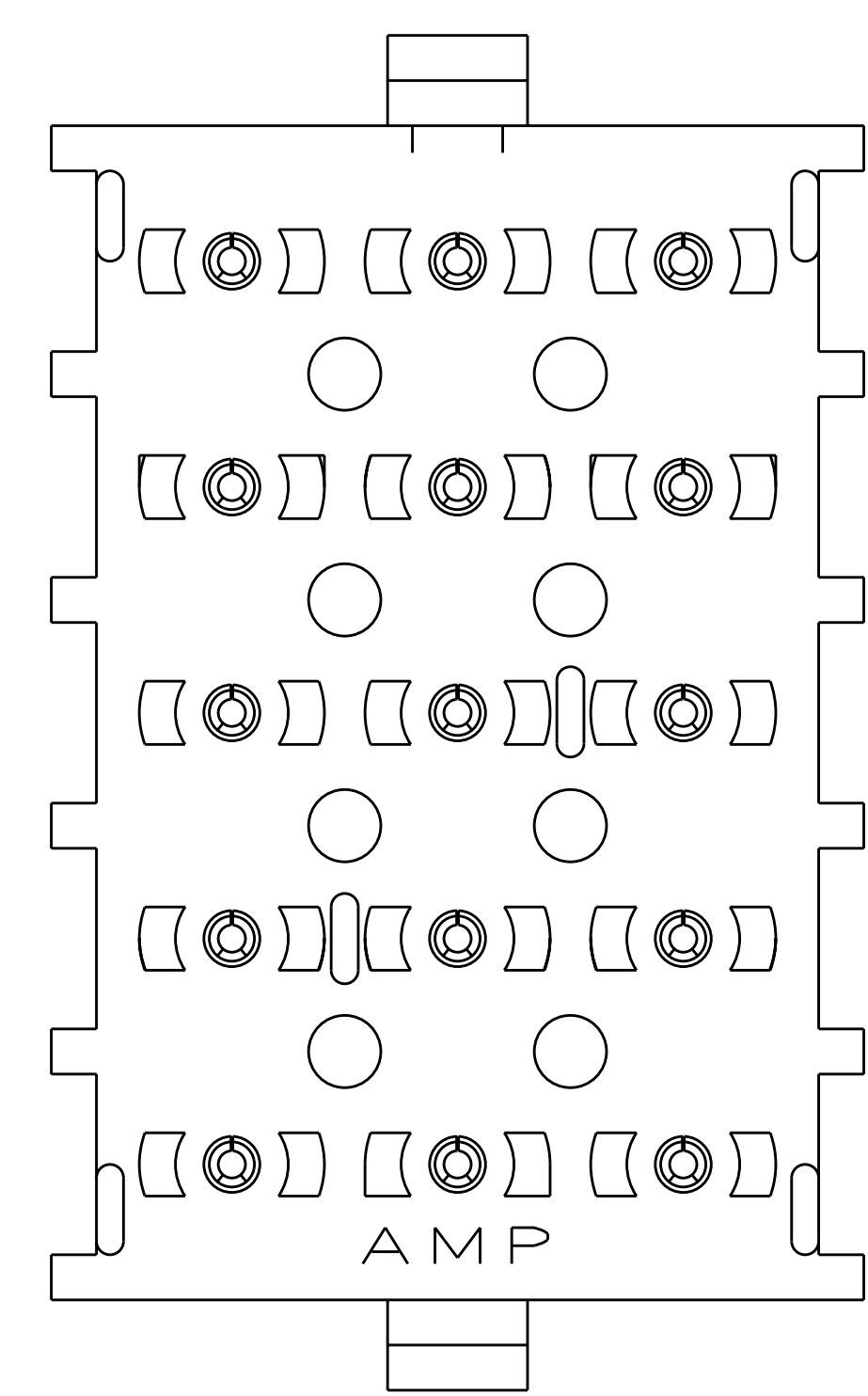


LOC	DIST	REV	DATE	BY	CHK	APP'D
CM	00	RI	18APR2008	HMR	DC	

- MATES WITH HOUSING 480710.
- PARTS COMPLY TO AMP SOLDERABILITY SPECIFICATION 109-11-3.
- CONTACT IS PLATED OVERALL WITH 0.00127 [.000050] NICKEL, THEN 0.00076 [.000030] GOLD OVER CONTACT LENGTH INDICATED AND TIN LEAD ON SOLDER TAIL END.
- CIRCUIT IDENTIFICATION CHARACTERS ARE ADJACENT TO THE INDICATED CAVITIES, BUT LOCATION AND ORIENTATION MAY DIFFER FROM PRINT.
- CONTACT IS PLATED OVERALL WITH 0.00127 [.000050] NICKEL, THEN 0.00076 [.000030] GOLD OVER CONTACT LENGTH INDICATED AND MATTE TIN ON SOLDER TAIL END.
- DIMENSIONS IN BRACKETS ARE IN INCHES.



SECTION A-A
SCALE 10:1

SECTION B-B

PIN CONTACT MATERIAL AND FINISH	HOUSING MATERIAL AND COLOR	PART NUMBER
PHOSPOR BRONZE, GOLD Δ	NYLON, UL94V-2, NATURAL	350588-4
PHOSPOR BRONZE, GOLD Δ	NYLON, UL94V-2, NATURAL	350588-2
PHOSPOR BRONZE, PRE-TIN	NYLON, UL94V-2, NATURAL	350588-1

RECOMMENDED MOUNTING HOLE PATTERN FOR 1.57 [0.062] THICK P.C. BOARD HOLE THAT CORRESPONDS TO REMOVED CONTACT CAN BE OMITTED



DIMENSIONS: mm [INCHES] 		TOLERANCES UNLESS OTHERWISE SPECIFIED: 9 PLC ± 1 PLC ±0.13 [.005] 5 PLC ± 4 PLC ± ANGLES ±30°		DWN R. WHITAKER 07SEP2005 CHK S. RIDGILL 07SEP2005 APVD S. RIDGILL 07SEP2005 NAME: PIN HEADER ASSEMBLY, 15 CIRCUIT, UNIVERSAL MATE-N-LOK(TM) SIZE: A11 CAGE CODE: 00779 DRAWING NO: C-350588 RESTRICTED TO: REV: RI	
MATERIAL: SEE TABLE		FINISH: SEE TABLE		Tyco Electronics Harrisburg, PA 17105-3608 CUSTOMER DRAWING SCALE: 5:1 SHEET 1 OF 1	